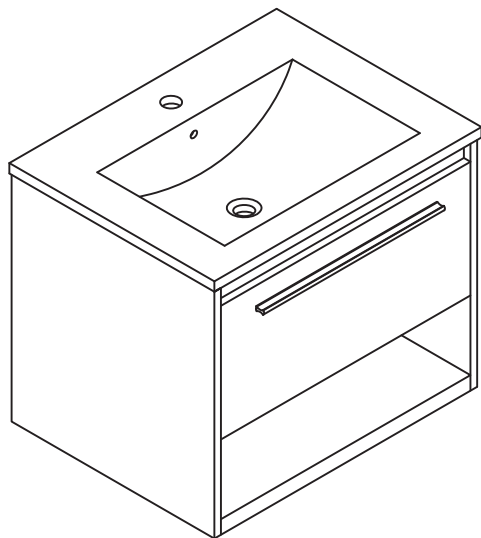




**ELEGANT**  
FURNITURE & LIGHTING™

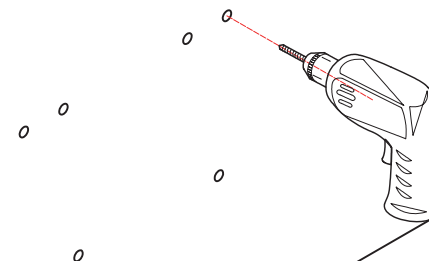
### Assembly instructions

VF43040WH / VF43040WB  
VF43040CG



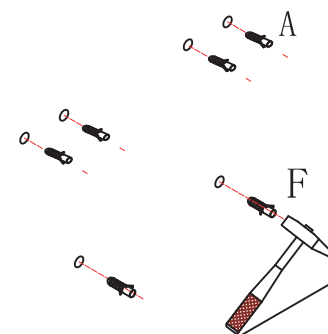
Step 1

Wall









Step 2

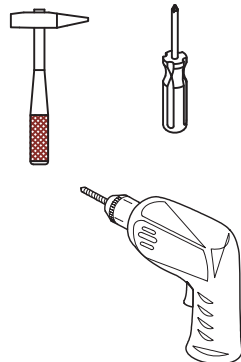
Wall



### Hardware

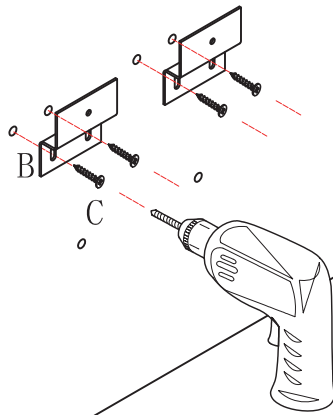
NO.	Parts	QTY	NO.	Parts	QTY
A	 ( M6*1.18" )	4	D	 ( T4*0.55" )	2
B		2	E	 ( M6*2.36" )	2
C	 ( T4*1.38" )	4	F	 ( M8*1.18" )	2

### Tools

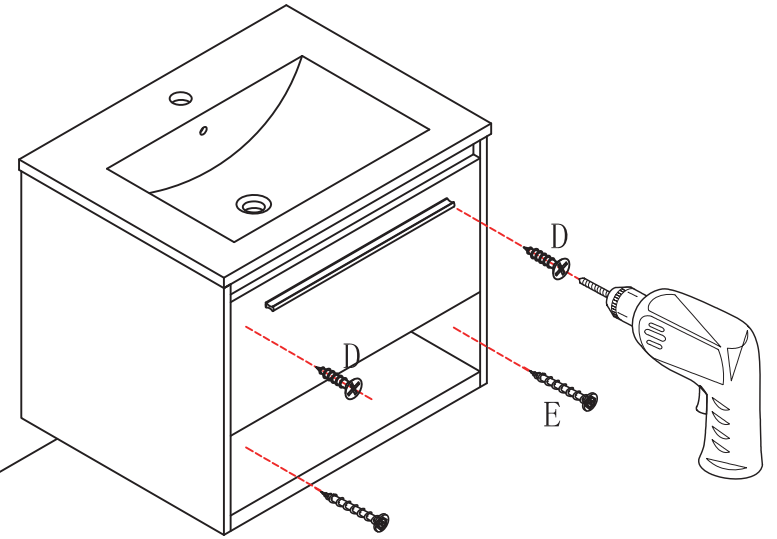


Step 3

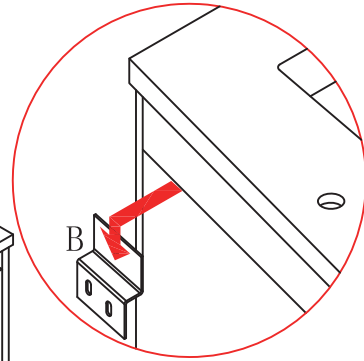
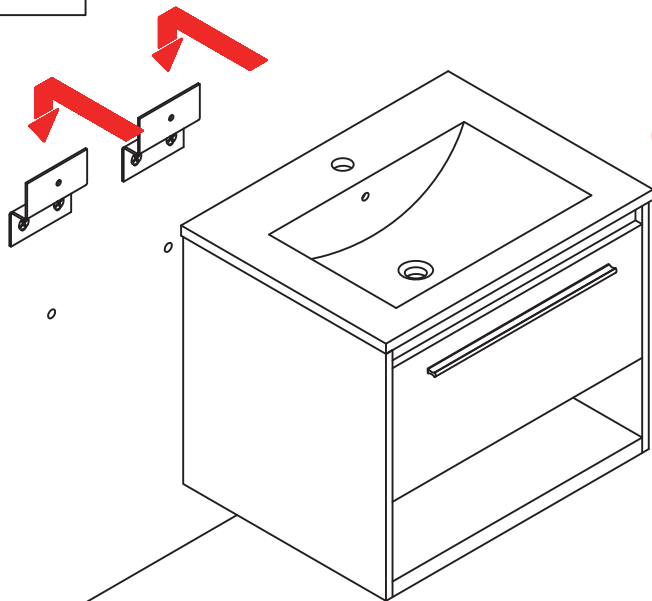
Wall



Step 5



Step 4



Finished

